
Ferrites

Ferrites are included in the 1670G-series logic analyzer's shipping carton for the 1160 Miniature Passive Probes. When properly installed, the ferrites reduce RFI emissions from the oscilloscope probes.

In order to ensure compliance of the 1670G-series logic analyzer to the CISPR 11 Class A radio frequency interference (RFI) limits, you must install the ferrite to absorb radio frequency energy.

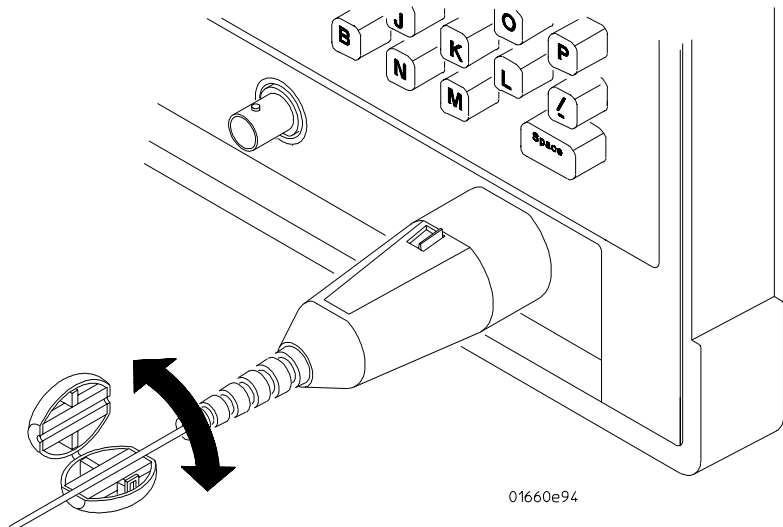
NOTE:

Adding or removing the ferrite will not affect the normal operation of the analyzer or oscilloscope.

Ferrite installation instructions

Use the following steps to install the ferrites on the oscilloscope cables

- 1 Open the ferrite and place it no more than 1 inch from the base of the probe cable.
- 2 Close the ferrite around the cable.



Ferrites



01670-92003